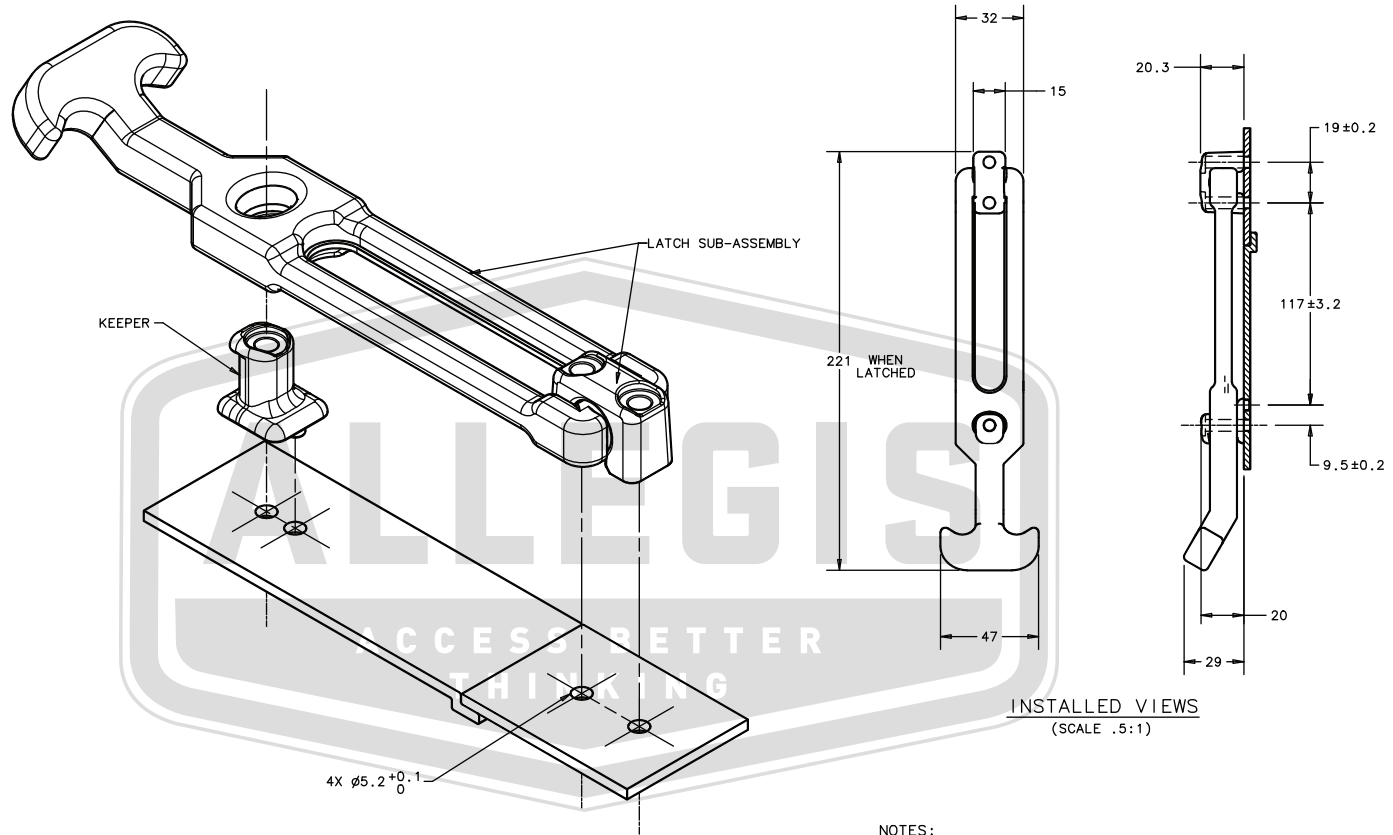


APPROVAL - CUSTOMER NAME & SIGNATURE

DATE

REV	DATE	DRAWN/CHKD	DESCRIPTION	PART NUMBER
A	04MAY193	ALC	PRN: S-1-03	F7-73
B	10NOV194	MSB	PRN: F7-50	
C	19OCT2002	AJF/DLH	PRN: P2002-0790	
D	06SEP2016	CMS/JF	PRN: P2016-2050	



INSTALLED VIEWS
(SCALE .5:1)

NOTES:

- LATCH ASSEMBLY CONSISTS OF:
SUB-ASSEMBLY:
HANDLE - TPE, BLACK
BRACKET - G.R. NYLON, BLACK.
KEEPER - G.R. NYLON, BLACK
- LATCH SUB-ASSEMBLY AND KEEPER SHIPPED SEPARATELY,
BULK. FOR LATCHES PACKAGED ONE PER BAG,
ADD -P TO PART NUMBER.
- MOUNT USING (3) No. 10/M5 SCREWS OR 3/16 - 5mm
RIVETS (NOT SUPPLIED).

ALLEGIS		1-866-378-7550
MATERIAL:	Nylon, Rubber	DRAWING NO. : F7-73
FINISH:	Natural	
REV.:	1:1	DATE: 5/29/2019